

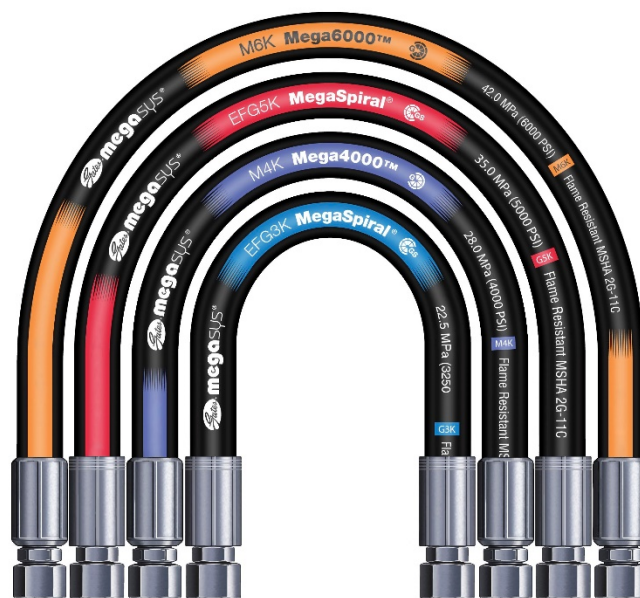
# TEHIMPEX

Osnovni katalog fleksibilnih hidravličnih cevi in priključkov

2019



**POWERING PROGRESS™**



### Glavne prednosti Gates gibkih cevi in priključkov:

- Ni potrebe po predhodni obdelavi 'rezkanju vrhnjega sloja cevi'
- Priključki 2 v 1 'MEGACRIMP' za 80% cevni sestavov, tudi za visoke tlake
- Za 2/3 Manjši kot upogibanja gibkih cevi od konkurence
- Odpornost na biorazgradljivo olje
- Negorljivost

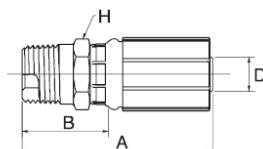
[www.gates.com](http://www.gates.com)

## Kazalo vsebine

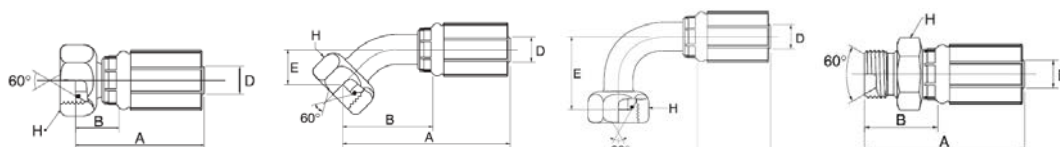
Spiralno oplasčene hidravlične cevi ..... 5

Cevi z žičnim opletom ..... 7

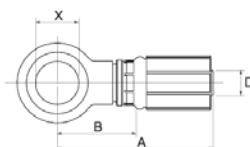
BSP MBSPT (standardni cevni navoj) ..... 9



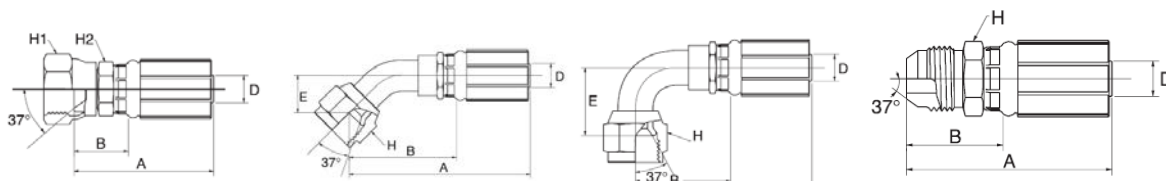
BSP FBSPORX (standardni cevni navoj)..... 10



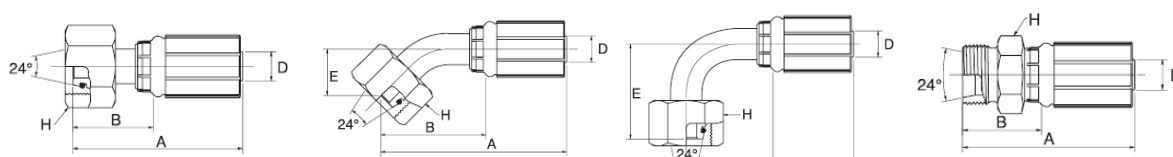
BSP BSPBJ (standardni cevni navoj) ..... 14



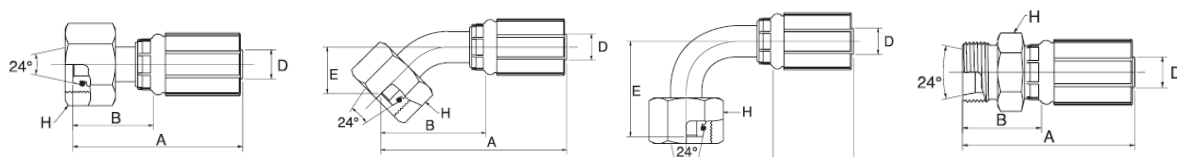
JIC 37° FXJ (UNF navoj) ..... 15



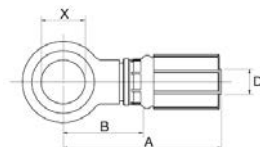
DIN 24° FDLORX (Metrični navoj - Lahki red) ..... 19



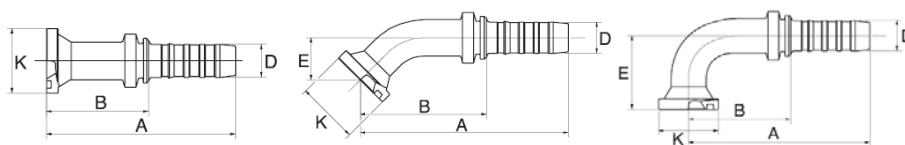
**DIN 24° FDHORX (Metrični navoj – težki red) ..... 23**



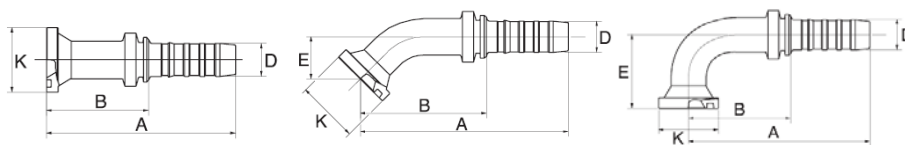
**DIN DBJ (metrični navoj) ..... 27**



**SAE FL (code 61.) ..... 28**



**SAE FL (code 62.) ..... 31**







**Kreiranje naročniške šifre ..... 34**

**Zapiski ..... 35**





**Lastnosti:** 6 x spiralno oplašena hidravlična cev presega standard SAE 100R15, uporabljamo jo za zelo visoke tlake in najzahtevnejše aplikacije v hidravličnih sistemih.



Oznaka	 Notranji premer cevi		 Zunanji premer cevi	 Delovni tlak	 Min. radius zvijanja
	[""]	[mm]	[mm]	[bar]	[mm]
6 EFG6K	3/8	DN 10	20.2	420	63.5
8 EFG6K	1 / 2	DN 12	24.0	420	88.9
10 EFG6K	5/8	DN 16	27.6	420	101.6
12 EFG6K	3/4	DN 19	31.4	420	120.7
16 EFG6K	1	DN 25	38.7	420	152.4
20 EFG6K	1.1/4	DN 31	50.0	420	209.6
24 EFG6K	1.1/2	DN 38	57.4	420	250

**Lastnosti:** 5 x spiralno oplašena hidravlična cev presega standard SAE 100R13 za zelo visoke tlake in najzahtevnejše aplikacije v hidravličnih sistemih.



Oznaka	 Notranji premer cevi		 Zunanji premer cevi	 Delovni tlak	 Min. radius zvijanja
	[""]	[mm]	[mm]	[bar]	[mm]
6 EFG5K	3/8	DN 10	20.2	350	63.5
8 EFG5K	1 / 2	DN 12	24.0	350	88.9
10 EFG5K	5/8	DN 16	27.6	350	101.6
12 EFG5K	3/4	DN 19	31.4	350	120.7
16 EFG5K	1	DN 25	38.7	350	152.4
20 EFG5K	1.1/4	DN 31	50.0	350	209.6
24 EFG5K	1-1/2	DN 38	57.3	350	250

**Lastnosti:** 4 x spiralno oplaščena hidravlična cev presega standard SAE 100R12, uporabljamo jo za zelo visoke tlake in najzahtevnejše aplikacije v hidravličnih sistemih.



Oznaka	Notranji premer cevi		Zunanji premer cevi	Delovni tlak	Min. radius zvižanja
	["]	[mm]	[mm]	[bar]	[mm]
6 EFG4K	3/8	DN 10	20.3	280	63.5
8 EFG4K	1 / 2	DN 12	24.8	280	88.9
10 EFG4K	5/8	DN 16	27.6	280	101.6
12 EFG4K	3/4	DN 19	30.7	280	120.7
16 EFG4K	1	DN 25	38.0	280	152.4
20 EFG4K	1.1/4	DN 31	47.0	280	209.6

Vse cevi so opcijsko dobavljive z 25 ali 300 kratno odpornostjo proti obrabi!





**XtraTuff™**



**MegaTuff®**





**Lastnosti:** 2 x opletena hidravlična cev presega standard EN 857 2SC, uporabljamo jo za visoke tlake in zahtevnejše aplikacije v hidravličnih sistemih.



Oznaka	 Notranji premer cevi		 Zunanji premer cevi	 Delovni tlak	 Min. radius zvijanja
	[""]	[mm]	[mm]	[bar]	[mm]
4 M5K	1/4	DN 6	13.7	350	50
5 M5K	5/16	DN 8	15.4	350	55
6 M5K	3/8	DN 10	17.5	350	65
8 M5K	1/2	DN 12	21.9	350	90





**Lastnosti:** 2 x opletena hidravlična cev presega standard SAE 100R19, uporabljamo jo za visoke tlake in zahtevnejše aplikacije v hidravličnih sistemih.



Oznaka	 Notranji premer cevi		 Zunanji premer cevi	 Delovni tlak	 Min. radius zvijanja
	[""]	[mm]	[mm]	[bar]	[mm]
4 M4K	1/4	DN 6	13.7	280	40
5 M4K	5/16	DN 8	15.4	280	45
6 M4K	3/8	DN 10	17,5	280	50
8 M4K	1/2	DN 12	20,8	280	70
10 M4K	5/8	DN 16	25	280	75
12 M4K	3/4	DN 19	29.1	280	95





**Lastnosti:** 1 x opletena hidravlična cev presega standard SAE 100R17, uporabljamo za visoke tlake in zahtevne aplikacije v hidravličnih sistemih.



Oznaka	 Notranji premer cevi		 Zunanji premer cevi	 Delovni tlak	 Min. radius zvijanja
	[""]	[mm]	[mm]	[bar]	[mm]
4 M3K	1/4	DN 6	12.2	225	40
5 M3K	5/16	DN 8	15.1	225	45
6 M3K	3/8	DN 10	16.0	225	50
8 M3K	1/2	DN 12	20.2	225	70
10 M3K	5/8	DN 16	25.2	225	75
12 M3K	3/4	DN 19	29.1	225	95
16 M3K	1	DN 25	37.6	225	115

**Lastnosti:** 2 x opletena hidravlična cev presega standard SAE 100R16, uporabljamo jo za visoke tlake v hidravličnih sistemih. Najpogosteje uporabljena hidravlična cev



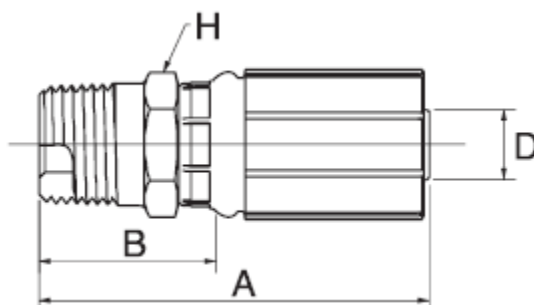
Oznaka	 Notranji premer cevi		 Zunanji premer cevi	 Delovni tlak	 Min. radius zvijanja
	[""]	[mm]	[mm]	[bar]	[mm]
CM2T 04	1/4	DN 6	14.1	400	50
CM2T 05	5/16	DN 8	15.5	350	55
CM2T 06	3/8	DN 10	17.7	330	65
CM2T 08	1/2	DN 12	20.8	275	90
CM2T 10	5/8	DN 16	24.6	250	100
CM2T 12	3/4	DN 19	27.8	215	120
CM2T 16	1	DN 25	35.8	165	150

## Moški ravni priključek standardni konični cevni navoj

### BSP MBSPT

Za cevi:

M5K	M3K	M4K	CM2T
-----	-----	-----	------



Oznaka	 Za notranji premer cevi		 Velikost navoja	 Dimenzije		
	["]	[mm]		A[mm]	B[mm]	ključ
4G - 4MBSPT	1/4	6	R 1/4 - 19 BSP	47.9	24.8	14
4G - 6MBSPT	1/4	6	R 3/8 - 19 BSP	49.1	26.0	19
5G - 6MBSPT	5/16	8	R 3/8 - 19 BSP	50.0	26.1	19
6G - 6MBSPT	3/8	10	R 3/8 - 19 BSP	49.5	26.1	19
6G - 8MBSPT	3/8	10	R 1/2 - 14 BSP	54.3	30.9	22
8G - 6MBSPT	1/2	12	R 3/8 - 19 BSP	59.5	27.0	22
8G - 8MBSPT	1/2	12	R 1/2 - 14 BSP	63.3	30.9	22
10G - 10MBSPT	5/8	16	R 5/8 - 14 BSP	69.9	32.4	24
12G - 12MBSPT	3/4	20	R 3/4 - 14 BSP	74.1	35.7	32
16G - 16MBSPT	1	25	R 1 - 11 BSP	87.5	41.6	36

## Ravni priključek z vrtljivo matico s standardnim cevnim navojem, spoj 60° + O-tesnilo

### BSP FBSPORX

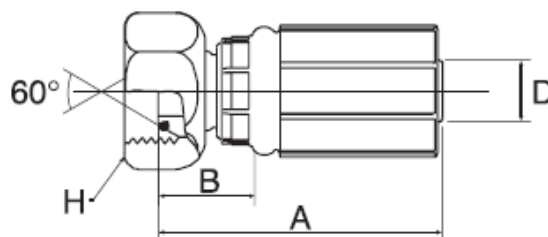
Za cevi:

M5K

M3K

M4K

CM2T



Oznaka	 Za notranji premer cevi		 Velikost navoja	 Dimenzije		
	["]	[mm]		A[mm]	B[mm]	ključ
4G - 2FBSPORX*	1/4	6	G 1/8 - 28 BSP	41.1	18.0	14.0
4G - 4FBSPORX	1/4	6	G 1/4 - 19 BSP	43.0	17.0	19.0
4G - 6FBSPORX	1/4	6	G 3/8 - 19 BSP	44.0	18.0	22.0
5G - 6FBSPORX	5/16	8	G 3/8 - 19 BSP	46.0	18.0	22.0
5G - 8FBSPORX	5/16	8	G 1/2 - 14 BSP	46.0	18.0	27.0
6G - 6FBSPORX	3/8	10	G 3/8 - 19 BSP	44.1	16.2	22.0
6G - 8FBSPORX	3/8	10	G 1/2 - 14 BSP	45.8	17.9	27.0
8G - 6FBSPORX	1/2	12	G 3/8 - 19 BSP	59.2	21.7	22.0
8G - 8FBSPORX	1/2	12	G 1/2 - 14 BSP	55.5	17.8	27.0
8G - 10FBSPORX	1/2	12	G 5/8 - 14 BSP	57.2	19.7	30.0
8G - 12FBSPORX	1/2	12	G 3/4 - 14 BSP	59.0	21.5	32.0
10G - 10FBSPORX	5/8	16	G 5/8 - 14 BSP	56.6	19.1	30.0
10G - 12FBSPORX	5/8	16	G 3/4 - 14 BSP	59.0	21.5	32.0
12G - 12FBSPORX	3/4	20	G 3/4 - 14 BSP	71.0	20.0	32.0
12G - 16FBSPORX	3/4	20	G 1 - 11 BSP	73.6	22.6	41.0
16G - 12FBSPORX	1	25	G 3/4 - 14 BSP	82.7	25.9	32.0
16G - 16FBSPORX	1	25	G 1 - 11 BSP	83.8	27.0	41.0
20G - 20FBSPORX	1.1/4	32	G 1.1/4 - 11 BSP	88.5	29.5	50.0

\* Brez O-tesnila na spoju

Kotni priključek 45° z vrtljivo matico s standardnim cevnim navojem, spoj 60° + O-tesnilo

## BSP FBSPORX45

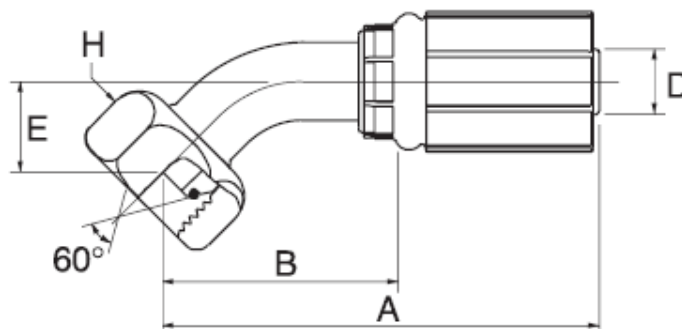
Za cevi:

M5K

M3K

M4K

CM2T



Oznaka	 Za notranji premer cevi		 Velikost navoja	 Dimenzije			
	[""]	[mm]		A[mm]	B[mm]	E[mm]	ključ
4G - 4FBSPORX45	1/4	6	G 1/4 - 19 BSP	57.1	31.1	31.1	19
4G - 6FBSPORX45	1/4	6	G 3/8 - 19 BSP	63.2	37.1	37.8	22
5G - 6FBSPORX45	5/16	8	G 3/8 - 19 BSP	66.6	38.6	38.6	22
6G - 6FBSPORX45	3/8	10	G 3/8 - 19 BSP	66.9	39.0	39.0	22
6G - 8FBSPORX45	3/8	10	G 1/2 - 14 BSP	71.0	43.0	43.0	22
8G - 8FBSPORX45	1/2	12	G 1/2 - 14 BSP	81.3	43.9	44.0	27
8G - 10FBSPORX45	1/2	12	G 5/8 - 14 BSP	91.0	53.5	52.3	30
10G-10FBSPORX45	5/8	16	G 5/8 - 14 BSP	89.6	52.1	52.1	30
10G-12FBSPORX45	5/8	16	G 3/4 - 14 BSP	99.5	62.0	62.0	32
12G-12FBSPORX45	3/4	20	G 3/4 - 14 BSP	115.4	64.4	64.4	32
16G-16FBSPORX45	1	25	G 1 - 11 BSP	135.6	78.8	78.8	41
20G-20FBSPORX45	1.1/4	32	G 1.1/4 - 11 BSP	139.6	102.9	93.4	50

## Kotni priključek 90° z vrtljivo matico s standardnim cevnim navojem, spoj 60° + O-tesnilo

### BSP FBSPORX90

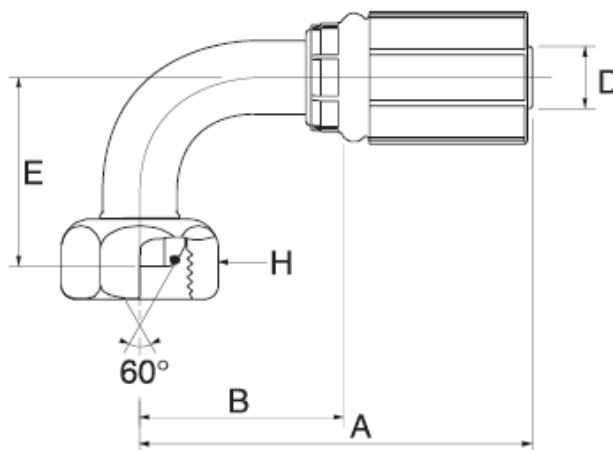
Za cevi:

M5K

M3K

M4K

CM2T



Oznaka	 Za notranji premer cevi		 Velikost navoja	 Dimenzije			
	["]	[mm]		["]	A[mm]	B[mm]	E[mm]
4G - 4FBSPORX90	1/4	6	G 1/4 - 19 BSP	53.0	26.5	23.3	19
4G - 6FBSPORX90	1/4	6	G 3/8 - 19 BSP	53.0	24.3	32.0	22
5G - 6FBSPORX90	5/16	8	G 3/8 - 19 BSP	58.0	30.0	32.0	22
6G - 6FBSPORX90	3/8	10	G 3/8 - 19 BSP	61.9	34.0	32.0	22
6G - 8FBSPORX90	3/8	10	G 1/2 - 14 BSP	60.1	32.2	37.5	22
8G - 8FBSPORX90	1/2	12	G 1/2 - 14 BSP	78.0	40.5	37.3	27
8G - 10FBSPORX90	1/2	12	G 5/8 - 14 BSP	80.0	44.0	46.0	30
10G-10FBSPORX90	5/8	16	G 5/8 - 14 BSP	84.1	46.6	46.0	30
10G-12FBSPORX90	5/8	16	G 3/4 - 14 BSP	84.1	46.6	60.0	32
12G-12FBSPORX90	3/4	20	G 3/4 - 14 BSP	107.0	56.0	60.0	32
12G-16FBSPORX90	3/4	20	G 1 - 11 BSP	112.2	61.2	70.0	41
16G-12FBSPORX90	1	25	G 3/4 - 14 BSP	108.8	52.0	54.1	32
16G-16FBSPORX90	1	25	G 1 - 11 BSP	131.1	74.3	70.0	41
20G-20FBSPORX90	1.1/4	32	G 1.1/4 - 11 BSP	151.4	74.3	80.0	50

## Moški ravni priključek s standardnim cevnim navojem, spoj 60°

### BSP MBSPP

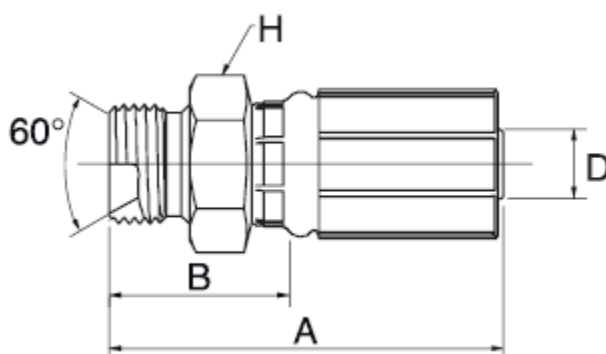
Za cevi:

M5K

M3K

M4K

CM2T



Oznaka	 Za notranji premer cevi		 Velikost navoja	 Dimenzije		
	["]	[mm]		["]	A[mm]	B[mm]
4G - 4MBSPP	1/4	6	G 1/4 - 19 BSP	51.5	25.8	19
4G - 6MBSPP	1/4	6	G 3/8 - 19 BSP	51.8	25.8	22
4G - 8MBSPP	1/4	6	G 1/2 - 14 BSP	59.5	33.5	27
5G - 4MBSPP	5/16	8	G 1/4 - 19 BSP	53.5	25.5	19
5G - 6MBSPP	5/16	8	G 3/8 - 19 BSP	53.8	25.8	22
6G - 4MBSPP	3/8	10	G 1/4 - 19 BSP	52.0	24.1	19
6G - 6MBSPP	3/8	10	G 3/8 - 19 BSP	55.0	27.1	22
6G - 8MBSPP	3/8	10	G 1/2 - 14 BSP	60.0	32.1	27
8G - 6MBSPP	1/2	12	G 3/8 - 19 BSP	63.5	26.0	22
8G - 8MBSPP	1/2	12	G 1/2 - 14 BSP	69.0	31.5	27
8G - 10MBSPP	1/2	12	G 5/8 - 14 BSP	71.0	33.5	30
10G - 10MBSPP	5/8	16	G 5/8 - 14 BSP	73.5	36.0	30
10G - 12MBSPP	5/8	16	G 3/4 - 14 BSP	71.5	34.0	32
12G - 12MBSPP	3/4	20	G 3/4 - 14 BSP	85.0	34.0	32
16G - 16MBSPP	1	25	G 1 - 11 BSP	101.0	44.2	41
20G - 16MBSPP	1.1/4	32	G 1 - 11 BSP	104.5	45.5	46
20G - 20MBSPP	1.1/4	32	G 1.1/4 - 11 BSP	110.0	51.0	50

## Prilagodljiv priključek za votli vijak s standardnim cevnim navojem

### BSP BSPBJ

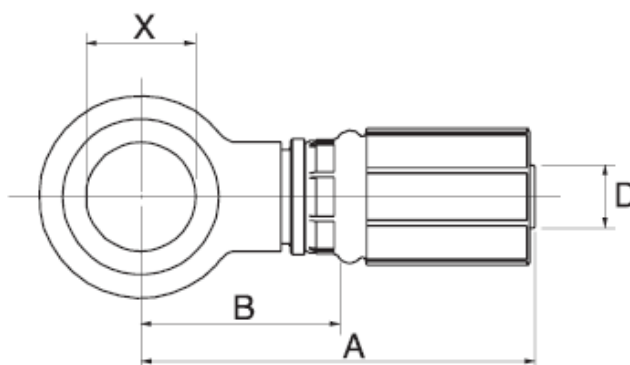
Za cevi:

M5K

M3K

M4K

CM2T



Oznaka	Za notranji premer cevi		X - Votli vijak	Dimenzije		
	["]	[mm]		A[mm]	B[mm]	X
4G - 4BSPBJ	1/4	6	1/4 - BSP	56.3	30.3	13
4G - 6BSPBJ	1/4	6	3/8 - BSP	58.3	32.3	16
6G - 4BSPBJ	3/8	10	1/4 - BSP	58.5	30.6	13
6G - 6BSPBJ	3/8	10	3/8 - BSP	60.3	32.4	16
6G - 8BSPBJ	3/8	10	1/2 - BSP	62.7	34.8	21
8G - 8BSPBJ	1/2	12	1/2 - BSP	75.7	38.2	21
12G - 12BSPBJ	3/4	20	3/4 - BSP	94.7	43.7	26

Vse prilagodljive priključke uporabljamo za tlake do največ 200 bar

## Ravni priključek z vrtljivo matico UNF navoj, spoj 74° JIC

### JIC 37° FJX

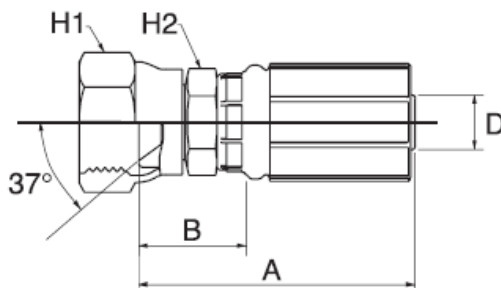
Za cevi:

M5K

M3K

M4K

CM2T



Oznaka	 Za notranji premer cevi		 Velikost navoja	 Dimenzije		
	["]	[mm]		A[mm]	B[mm]	ključ
4G - 4FJX	1/4	6	7/16 - 20 UNF	47.6	21.3	14
4G - 5FJX	1/4	6	1/2 - 20 UNF	49.2	22.9	17
4G - 6FJX	1/4	6	9/16 - 18 UNF	51.1	25.1	19
5G - 5FJX	5/16	8	1/2 - 20 UNF	53.0	25.0	17
5G - 6FJX	5/16	8	9/16 - 18 UNF	55.1	27.1	19
6G - 4FJX	3/8	10	7/16 - 20 UNF	44.5	16.6	14
6G - 5FJX	3/8	10	1/2 - 20 UNF	45.0	17.1	17
6G - 6FJX	3/8	10	9/16 - 18 UNF	53.0	24.2	19
6G - 8FJX	3/8	10	3/4 - 16 UNF	56.3	27.5	24
6G - 10FJX	3/8	10	7/8 - 14 UNF	56.3	27.5	27
8G - 6FJX	1/2	12	9/16 - 18 UNF	57.0	19.5	19
8G - 8FJX	1/2	12	3/4 - 16 UNF	62.8	27.3	24
8G - 10FJX	1/2	12	7/8 - 14 UNF	62.8	27.3	27
8G - 12FJX	1/2	12	1.1/16 - 12 UNF	62.8	27.3	32
10G - 8FJX	5/8	16	3/4 - 16 UNF	61.0	23.5	24
10G - 10FJX	5/8	16	7/8 - 14 UNF	66.0	28.5	27
10G - 12FJX	5/8	16	1.1/16 - 12 UNF	66.4	28.9	31
10G - 14FJX	5/8	16	1.3/16 - 12 UNF	70.0	32.5	36
12G - 10FJX	3/4	20	7/8 - 14 UNF	122.0	71.0	27
12G - 12FJX	3/4	20	1.1/16 - 12 UNF	80.0	29.0	32
12G - 14FJX	3/4	20	1.3/16 - 12 UNF	80.8	29.8	36
12G - 16FJX	3/4	20	1.5/16 - 12 UNF	81.1	30.1	41
16G - 12FJX	1	25	1.1/16 - 12 UNF	86.0	29.2	32
16G - 14FJX	1	25	1.3/16 - 12 UNF	86.0	29.2	36
16G - 16FJX	1	25	1.5/16 - 12 UNF	94.2	37.4	41
16G - 20FJX	1	25	1.5/8 - 12 UNF	93.0	36.2	50
20G - 20FJX	1.1/4	32	1.5/8 - 12 UNF	100.0	41.0	50
20G - 24FJX	1.1/4	32	1.7/8 - 12 UNF	103.5	44.5	60

## Kotni priključek 45° z vrtljivo matico UNF navoj, spoj 74° JIC

### JIC 37° FJX45

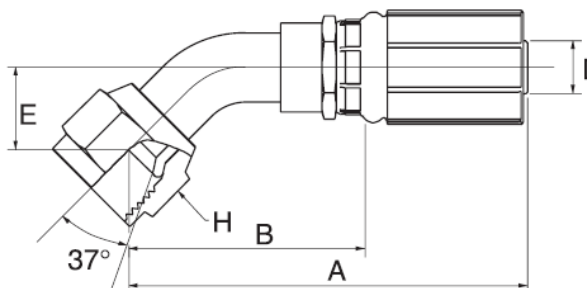
Za cevi:

M5K

M3K

M4K

CM2T



Oznaka	Za notranji premer cevi		Velikost navoja	Dimenzije			
	["]	[mm]		A[mm]	B[mm]	E[mm]	ključ
4G - 4FJX45S	1/4	6	7/16 - 20 UNF	69.7	43.7	10.0	14
4G - 5FJX45-011	1/4	6	1/2 - 20 UNF	65.8	39.7	11.0	17
4G - 6FJX45S	1/4	6	9/16 - 18 UNF	77.8	51.8	11.0	19
5G - 5FJX45-011	5/16	8	1/2 - 20 UNF	68.3	40.3	11.0	17
5G - 6FJX45S	5/16	8	9/16 - 18 UNF	72.4	44.4	11.0	19
6G - 4FJX45S	3/8	10	7/16 - 20 UNF	72.7	44.8	10.0	14
6G - 6FJX45S	3/8	10	9/16 - 18 UNF	77.5	49.6	11.0	19
6G - 8FJX45S	3/8	10	3/4 - 16 UNF	89.1	61.6	15.0	24
8G - 8FJX45S	1/2	12	3/4 - 16 UNF	86.9	49.5	15.0	24
8G - 10FJX45S	1/2	12	7/8 - 14 UNF	96.8	59.4	16.0	27
10G - 10FJX45S	5/8	16	7/8 - 14 UNF	96.4	59.0	16.0	27
10G - 12FJX45S	5/8	16	1.1/16 - 12 UNF	116.0	78.5	21.0	32
12G - 10FJX45S	3/4	20	7/8 - 14 UNF	116.3	65.3	19.0	27
12G - 12FJX45S	3/4	20	1.1/16 - 12 UNF	129.2	78.2	21.0	32
12G - 16FJX45S	3/4	20	1.5/16 - 12 UNF	133.1	82.1	24.0	41
16G - 16FJX45S	1	25	1.5/16 - 12 UNF	144.3	87.5	24.0	41
20G - 20FJX45-035	1.1/4	32	1.5/8 - 12 UNF	169.0	110.0	35.0	50

## Kotni priključek 90° z vrtljivo matico UNF navoj, spoj 74° JIC

## JIC 37° FJX90

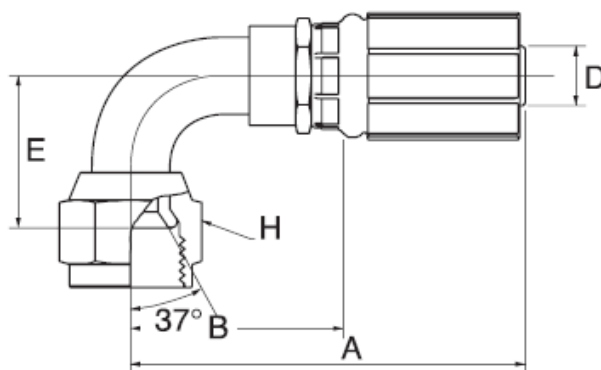
Za cevi:

M5K

M3K

M4K

CM2T



Oznaka	Za notranji premer cevi		Velikost navoja	Dimenzije			
	[""]	[mm]		A[mm]	B[mm]	E[mm]	ključ
4G - 4FJX90S	1/4	6	7/16 - 20 UNF	63.1	37.1	21.0	14
4G - 5FJX90-023	1/4	6	1/2 - 20 UNF	62.2	36.2	23.0	17
4G - 6FJX90S	1/4	6	9/16 - 18 UNF	70.5	44.4	23.0	19
5G - 6FJX90S	16	8	9/16 - 18 UNF	75.2	47.2	23.0	19
6G - 4FJX90S	3/8	10	7/16 - 20 UNF	66.1	38.2	21.0	14
6G - 6FJX90S	3/8	10	9/16 - 18 UNF	74.2	46.3	23.0	19
6G - 8FJX90S	3/8	10	3/4 - 16 UNF	82.6	54.7	29.0	24
8G - 6FJX90S	1/2	12	9/16 - 18 UNF	77.3	39.9	41.0	24
8G - 8FJX90S	1/2	12	3/4 - 16 UNF	81.0	43.5	29.0	24
8G - 10FJX90S	1/2	12	7/8 - 14 UNF	93.3	55.8	32.0	27
8G - 12FJX90S	1/2	12	1.1/16 - 12 UNF	107.5	70.0	48.0	32
10G - 10FJX90-036	5/8	16	7/8 - 14 UNF	89.0	51.5	36.0	27
10G - 12FJX90S	5/8	16	1.1/16 - 12 UNF	106.1	68.6	48.0	32
12G - 12FJX90S	3/4	20	1.1/16 - 12 UNF	122.4	71.4	48.0	32
12G - 14FJX90-054	3/4	20	1.3/16 - 12 UNF	124.0	73.0	54.0	36
12G - 16FJX90S	3/4	20	1.5/16" - 12 UNF	132.7	81.7	56.0	41
16G - 16FJX90S	1	25	1.5/16" - 12 UNF	145.6	88.8	56.0	41
16G - 20FJX90S	1	25	1.5/8" - 12 UNF	167.0	110.2	75.0	50

V zgornji tabeli so predstavljeni priključki z nizkim odklonom 'E' – Dobavimo lahko tudi srednji in daljši odklon

M - srednji odklon

L- dolgi odklon



**TEHIMPEX**

## Moški ravni priključek UNF navoj, spoj 74° JIC

### JIC 37° MJ

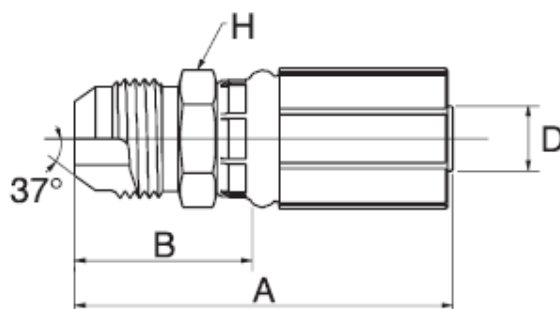
Za cevi:

M5K

M3K

M4K

CM2T



Oznaka	Za notranji premer cevi		Velikost navoja	Dimenzije		
	["]	[mm]		A[mm]	B[mm]	ključ
4G - 4MJ	1/4	6	7/16 - 20 UNF	55.5	29.5	14
4G - 5MJ	1/4	6	1/2 - 20 UNF	55.5	29.5	14
4G - 6MJ	1/4	6	9/16 - 18 UNF	56.5	30.5	17
5G - 5MJ	5/16	8	1/2 - 20 UNF	57.5	29.5	17
5G - 6MJ	5/16	8	9/16 - 18 UNF	57.5	29.5	17
6G - 6MJ	3/8	10	9/16 - 18 UNF	58.5	30.6	17
6G - 8MJ	3/8	10	3/4 - 16 UNF	63.0	35.1	19
6G - 10MJ	3/8	10	7/8 - 14 UNF	67.0	39.1	24
8G - 8MJ	1/2	12	3/4 - 16 UNF	71.5	34.0	22
8G - 10MJ	1/2	12	7/8 - 14 UNF	74.0	36.5	24
8G - 12MJ	1/2	12	1.1/16 - 12 UNF	81.0	43.5	27
10G - 8MJ	5/8	16	3/4 - 16 UNF	74.5	37.0	24
10G - 10MJ	5/8	16	7/8 - 14 UNF	77.0	39.5	24
10G - 12MJ	5/8	16	1.1/16 - 12 UNF	81.0	43.5	27
12G - 12MJ	3/4	20	1.1/16 - 12 UNF	94.5	43.5	27
12G - 14MJ	3/4	20	1.3/16 - 12 UNF	95.5	44.5	32
12G - 16MJ	3/4	20	1.5/16 - 12 UNF	96.0	45.0	36
16G - 16MJ	1	25	1.5/16 - 12 UNF	104.5	47.7	36
16G - 20MJ	1	25	1.5/8 - 12 UNF	109.0	52.2	44
20G - 20MJ	1.1/4	32	1.5/8 - 12 UNF	112.5	53.5	44

## Ravni priključek z vrtljivo matico metrični navoj, spoj 24°DIN + O-tesnilo – lahki red

### FDLORX

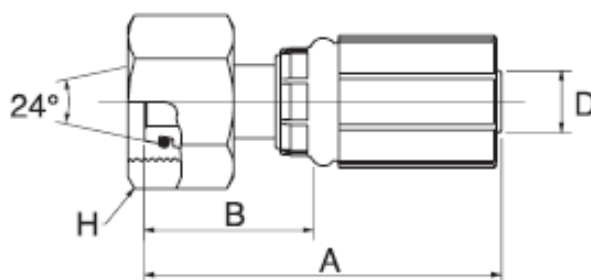
Za cevi:

M5K

M3K

M4K

CM2T



Oznaka	 Za notranji premer cevi		 Velikost navoja	 Dimenzije		
	["]	[mm]		A[mm]	B[mm]	ključ
4G - 6FDLORX	1/4	6	M 12 X 1.5	51.8	28.8	14
4G - 8FDLORX	1/4	6	M 14 X 1.5	55.7	29.7	17
4G - 10FDLORX	1/4	6	M 16 X 1.5	55.3	29.3	19
4G - 12FDLORX	1/4	6	M 18 X 1.5	55.7	29.7	22
5G - 8FDLORX	5/16	8	M 14 X 1.5	52.0	28.4	17
5G - 10FDLORX	5/16	8	M 16 X 1.5	53.9	29.7	19
5G - 12FDLORX	5/16	8	M 18 X 1.5	58.5	30.0	22
6G - 10FDLORX	3/8	10	M 16 X 1.5	57.1	29.2	19
6G - 12FDLORX	3/8	10	M 18 X 1.5	57.8	29.9	22
6G - 14FDLORX	3/8	10	M 20 X 1.5	60.4	32.5	24
6G - 15FDLORX	3/8	10	M 22 X 1.5	56.7	28.8	27
8G - 12FDLORX	1/2	12	M 18 X 1.5	70.2	32.7	22
8G - 15FDLORX	1/2	12	M 22 X 1.5	67.0	29.5	27
8G - 18FDLORX	1/2	12	M 26 X 1.5	67.9	30.4	32
10G - 18FDLORX	5/8	16	M 26 X 1.5	67.8	30.3	32
12G - 18FDLORX	3/4	20	M 26 X 1.5	83.8	32.8	32
12G - 22FDLORX	3/4	20	M 30 X 2.0	85.8	34.8	36
16G - 28FDLORX	1	25	M 36 X 2.0	81.6	36.7	41
20G - 35FDLORX	1.1/4	32	M 45 X 2.0	90.4	44.1	50

## Kotni priključek 45° z vrtljivo matico metrični navoj, spoj 24°DIN + O-tesnilo – lahki red

### FDLORX 45

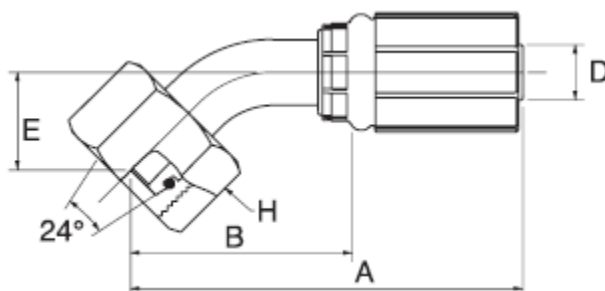
Za cevi:

M5K

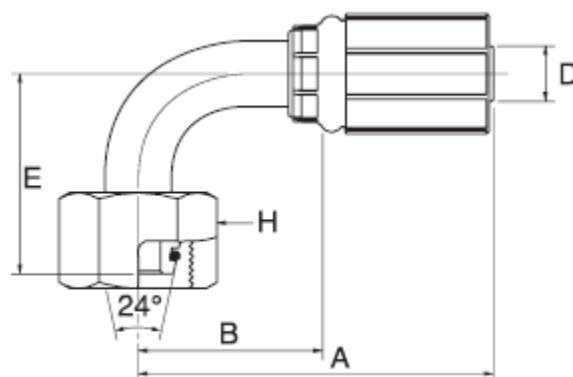
M3K

M4K

CM2T



Oznaka	Za notranji premer cevi		Velikost navoja	Dimenzije			
	["]	[mm]		A[mm]	B[mm]	E[mm]	ključ
4G - 6FDLORX45	1/4	6	M 12 X 1.5	65.5	39.5	16.9	14
4G - 8FDLORX45	1/4	6	M 14 X 1.5	62.6	36.5	16.2	19
4G - 10FDLORX45	1/4	6	M 16 X 1.5	64.4	38.3	17.9	19
4G - 12FDLORX45	1/4	6	M 18 X 1.5	66.7	40.7	18.3	22
5G - 8FDLORX45	5/16	8	M 14 X 1.5	67.1	39.1	16.9	17
5G - 10FDLORX45	5/16	8	M 16 X 1.5	63.4	39.3	17.1	19
5G - 12FDLORX45	5/16	8	M 18 X 1.5	67.7	39.7	18.9	22
6G - 10FDLORX45	3/8	10	M 16 X 1.5	68.5	40.5	18.6	19
6G - 12FDLORX45	3/8	10	M 18 X 1.5	68.8	40.9	18.9	22
6G - 15FDLORX45	3/8	10	M 22 X 1.5	72.3	44.4	22.5	27
8G - 12FDLORX45	1/2	12	M 18 X 1.5	92.9	55.4	29.7	22
8G - 15FDLORX45	1/2	12	M 22 X 1.5	84.6	47.1	20.2	27
8G - 18FDLORX45	1/2	12	M 26 X 1.5	94.9	57.2	26.9	32
10G - 18FDLORX45	5/8	16	M 26 X 1.5	93.5	56.0	24.8	32
12G - 22FDLORX45	3/4	20	M 30 X 2.0	104.6	66.1	29.8	36
16G - 28FDLORX45	1	25	M 36 X 2.0	135.4	78.8	30.9	41
20G - 35FDLORX45	1.1/4	32	M 45 X 2.0	152.4	93.4	37.5	50

**Kotni priključek 90° z vrtljivo matico metrični navoj, spoj 24°DIN + O-tesnilo – lahki red**
**FDLORX 90**
**Za cevi:**
**M5K**
**M3K**
**M4K**
**CM2T**


Oznaka	Za notranji premer cevi		Velikost navoja	Dimenzije			
	["]	[mm]		A[mm]	B[mm]	E[mm]	ključ
4G - 6FDLORX90	1/4	6	M 12 X 1.5	57.6	31.5	35.0	14
4G - 8FDLORX90	1/4	6	M 14 X 1.5	57.5	31.5	35.0	17
4G - 10FDLORX90	1/4	6	M 16 X 1.5	57.6	31.5	36.5	19
4G - 12FDLORX90	1/4	6	M 18 X 1.5	59.6	33.5	37.0	22
5G - 8FDLORX90	5/16	8	M 14 X 1.5	61.4	33.4	35.0	17
5G - 10FDLORX90	5/16	8	M 16 X 1.5	62.5	34.4	36.5	19
5G - 12FDLORX90	5/16	8	M 15 X 1.5	59.0	31.0	37.0	22
6G - 10FDLORX90	3/8	10	M 16 X 1.5	60.1	32.2	36.5	19
6G - 12FDLORX90	3/8	10	M 18 X 1.5	60.1	32.2	37.0	22
6G - 15FDLORX90	3/8	10	M 22 X 1.5	60.1	32.2	42.0	27
8G - 12FDLORX90	1/2	12	M 18 X 1.5	74.3	36.9	53.1	22
8G - 15FDLORX90	1/2	12	M 22 X 1.5	77.9	40.4	42.0	27
8G - 18FDLORX90	1/2	12	M 26 X 1.5	81.5	44.0	51.5	32
10G - 18FDLORX90	5/8	16	M 26 X 1.5	85.1	47.6	51.5	32
12G - 18FDLORX90	3/4	20	M 26 X 1.5	100.3	49.3	51.5	32
12G - 22FDLORX90	3/4	20	M 30 X 2.0	107.3	56.3	62.0	36
16G - 28FDLORX90	1	25	M 36 X 2.0	131.1	74.3	70.0	41
20G - 35FDLORX90	1.1/4	32	M 45 X 2.0	141.8	82.8	80.0	50

## Moški ravni priključek metrični navoj, spoj 24°DIN – lahki red

### MDL

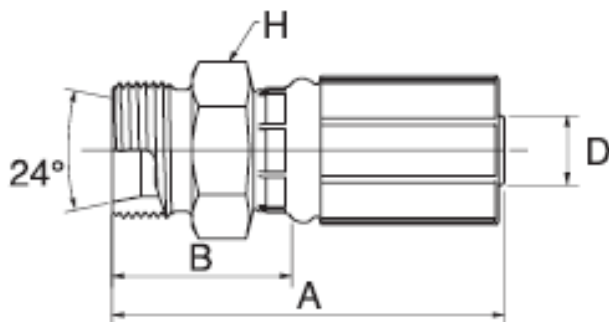
Za cevi:


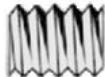

M5K

M3K

M4K

CM2T



Oznaka	 Za notranji premer cevi		 Velikost navoja	 Dimenzije		
	["]	[mm]		A[mm]	B[mm]	ključ
4G - 6MDL	1/4	6	M 12 X 1.5	45.8	19.8	14
4G - 8MDL	1/4	6	M 14 X 1.5	46.8	20.8	17
4G - 10MDL	1/4	6	M 16 X 1.5	47.8	21.8	17
4G - 12MDL	1/4	6	M 18 X 1.5	50.0	24.0	19
5G - 8MDL	5/16	8	M 14 X 1.5	48.8	20.8	17
5G - 10MDL	5/16	8	M 16 X 1.5	49.8	21.8	17
5G - 12MDL	5/16	8	M 18 X 1.5	50.8	22.8	19
6G - 10MDL	3/8	10	M 16 X 1.5	49.8	21.9	17
6G - 12MDL	3/8	10	M 18 X 1.5	50.8	22.9	19
6G - 15MDL	3/8	10	M 22 X 1.5	51.8	23.9	24
8G - 12MDL	1/2	12	M 18 X 1.5	60.6	23.1	22
8G - 15MDL	1/2	12	M 22 X 1.5	61.5	24.0	24
8G - 18MDL	1/2	12	M 26 X 1.5	63.0	25.5	27
10G - 18MDL	5/8	16	M 26 X 1.5	62.5	25.0	27
12G - 18MDL	3/4	20	M 26 X 1.5	75.9	24.9	27
12G - 22MDL	3/4	20	M 30 X 2.0	78.0	27.0	32
16G - 28MDL	1	25	M 36 X 2.0	87.2	30.4	41
20G - 35MDL	1.1/4	32	M 45 X 2.0	94.1	35.1	46

## Ravni priključek z vrtljivo matico metrični navoj, spoj 24°DIN + O-tesnilo – težki red

### FDHORX

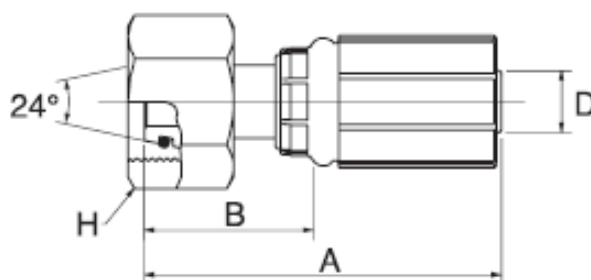
Za cevi:

M5K

M3K

M4K

CM2T



Oznaka	 Za notranji premer cevi		 Velikost navoja	 Dimenzije		
	["]	[mm]		A[mm]	B[mm]	ključ
4G - 6FDHORX	1/4	6	M 14 X 1.5	51.8	25.8	17
4G - 8FDHORX	1/4	6	M 16 X 1.5	54.4	28.4	19
4G - 10FDHORX	1/4	6	M 18 X 1.5	55.3	29.3	22
4G - 12FDHORX	1/4	6	M 20 X 1.5	55.7	29.7	24
5G - 10FDHORX	5/16	8	M 18 X 1.5	58.0	29.9	22
5G - 12FDHORX	5/16	8	M 20 X 1.5	58.0	30.0	24
5G - 14FDHORX	5/16	8	M 22 X 1.5	58.0	30.0	27
6G - 10FDHORX	3/8	10	M 18 X 1.5	57.1	29.2	22
6G - 12FDHORX	3/8	10	M 20 X 1.5	57.8	29.9	24
6G - 14FDHORX	3/8	10	M 22 X 1.5	60.4	32.5	27
8G - 12FDHORX	1/2	12	M 20 X 1.5	70.2	32.7	24
8G - 14FDHORX	1/2	12	M 22 X 1.5	70.0	32.5	27
8G - 16FDHORX	1/2	12	M 24 X 1.5	71.1	33.6	30
8G - 20FDHORX	1/2	12	M 30 X 2.0	75.5	38.0	36
10G - 16FDHORX	5/8	16	M 24 X 1.5	71.9	34.4	30
10G - 20FDHORX	5/8	16	M 30 X 2.0	75.7	38.2	36
12G - 20FDHORX	3/4	20	M 30 X 2.0	91.7	40.7	36
12G - 25FDHORX	3/4	20	M 36 X 2.0	96.1	45.1	46
16G - 25FDHORX	1	25	M 36 X 2.0	102.5	45.7	46
16G - 30FDHORX	1	25	M 42 X 2.0	106.0	49.2	50
20G - 38FDHORX	1.1/4	32	M 52 X 2.0	116.8	57.8	60

## Kotni priključek 45° z vrtljivo matico metrični navoj, spoj 24°DIN + O-tesnilo – težki red

### FDHORX 45

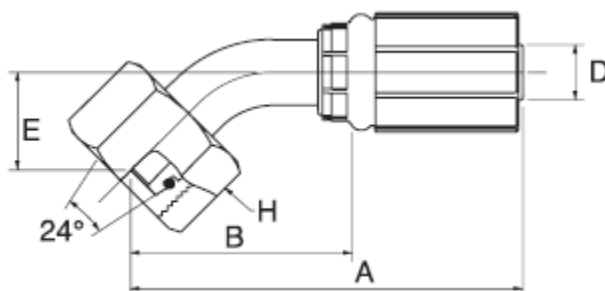
Za cevi:

M5K

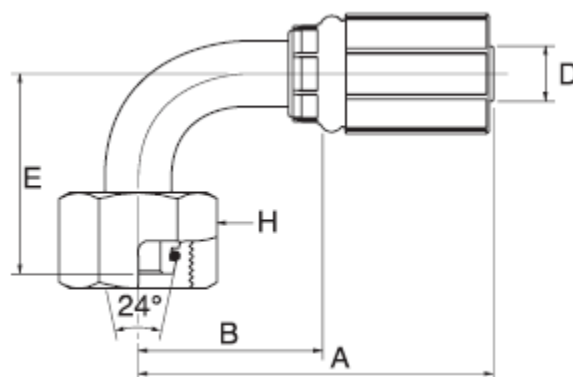
M3K

M4K

CM2T



Oznaka	Za notranji premer cevi		Velikost navoja	Dimenzije			
	["]	[mm]		A[mm]	B[mm]	E[mm]	ključ
4G - 8FDHORX45	1/4	6	M 16 X 1.5	62.6	36.5	16.2	19
4G - 10FDHORX45	1/4	6	M 18 X 1.5	64.4	38.3	17.9	22
4G - 12FDHORX45	1/4	6	M 20 X 1.5	66.7	40.7	18.3	24
5G - 10FDHORX45	5/16	8	M 18 X 1.5	67.3	39.3	17.1	22
5G - 12FDHORX45	5/16	8	M 20 X 1.5	67.7	39.7	18.9	24
6G - 10FDHORX45	3/8	10	M 18 X 1.5	68.5	40.5	18.6	22
6G - 12FDHORX45	3/8	10	M 20 X 1.5	68.8	40.9	18.9	24
6G - 14FDHORX45	3/8	10	M 22 X 1.5	70.9	43.0	21.0	27
8G - 14FDHORX45	1/2	12	M 22 X 1.5	91.5	54.0	27.1	27
8G - 16FDHORX45	1/2	12	M 24 X 1.5	86.0	48.5	21.6	30
10G - 20FDHORX45	5/8	16	M 30 X 2.0	93.1	55.7	24.9	36
12G - 20FDHORX45	3/4	20	M 30 X 2.0	109.4	58.4	24.9	36
12G - 25FDHORX45	3/4	20	M 36 X 2.0	118.6	67.6	31.2	46
16G - 25FDHORX45	1	25	M 36 X 2.0	146.5	89.7	35.1	46
16G - 30FDHORX45	1	25	M 42 X 2.0	139.8	83.0	35.1	50
20G - 38FDHORX45	1.1/4	32	M 52 X 2.0	166.9	107.9	42.5	60

**Kotni priključek 90° z vrtljivo matico metrični navoj, spoj 24°DIN + O-tesnilo – težki red**
**FDHORX 90**
**Za cevi:**
**M5K**
**M3K**
**M4K**
**CM2T**


Oznaka	 Za notranji premer cevi		 Velikost navoja	 Dimenzije			
	["]	[mm]		["]	A[mm]	B[mm]	E[mm]
4G - 6FDHORX90	1/4	6	M 14 X 1.5	57.6	31.5	35.0	17
4G - 8FDHORX90	1/4	6	M 16 X 1.5	57.5	31.5	35.0	19
4G - 10FDHORX90	1/4	6	M 18 X 1.5	57.6	31.5	36.5	22
4G - 12FDHORX90	1/4	6	M 20 X 1.5	59.6	33.5	37.0	24
5G - 10FDHORX90	5/16	8	M 18 X 1.5	62.5	34.4	36.5	22
5G - 12FDHORX90	5/16	8	M 20 X 1.5	59.0	31.0	37.0	24
5G - 14FDHORX90	5/16	8	M 22 X 1.5	59.0	31.0	40.0	27
6G - 10FDHORX90	3/8	10	M 18 X 1.5	60.1	32.2	36.5	22
6G - 12FDHORX90	3/8	10	M 20 X 1.5	60.1	32.2	37.0	24
6G - 14FDHORX90	3/8	10	M 22 X 1.5	60.1	32.2	40.0	27
8G - 16FDHORX90	1/2	12	M 24 X 1.5	77.9	40.4	44.0	30
10G - 20FDHORX90	5/8	16	M 30 X 2.0	84.1	46.6	51.0	36
10G - 25FDHORX90	5/8	16	M 36 X 2.0	84.1	46.6	64.0	46
12G - 20FDHORX90	3/4	20	M 30 X 2.0	100.3	49.3	51.0	36
12G - 25FDHORX90	3/4	20	M 36 X 2.0	107.3	56.3	64.0	46
16G - 25FDHORX90	1	25	M 36 X 2.0	137.8	81.0	76.0	46
16G - 30FDHORX90	1	25	M 42 X 2.0	131.1	74.3	76.0	50
20G - 38FDHORX90	1.1/4	32	M 52 X 2.0	151.4	92.4	87.0	60

## Moški ravni priključek metrični navoj, spoj 24°DIN – težki red

### MDH

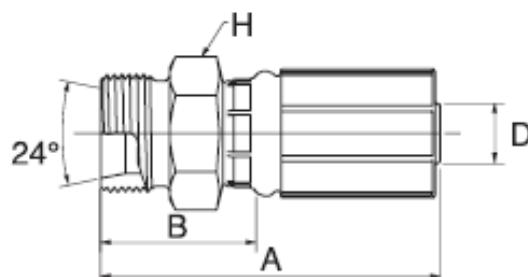
Za cevi:

M5K

M3K

M4K

CM2T



Oznaka	Za notranji premer cevi		Velikost navoja	Dimenzije		
	["]	[mm]		A[mm]	B[mm]	ključ
4G - 8MDH	1/4	6	M 16 X 1.5	53.0	27.0	17
4G - 10MDH	1/4	6	M 18 X 1.5	52.5	26.5	19
5G - 10MDH	5/16	8	M 18 X 1.5	53.8	25.8	19
5G - 12MDH	5/16	8	M 20 X 1.5	55.8	27.8	22
6G - 10MDH	3/8	10	M 18 X 1.5	55.0	27.1	19
6G - 12MDH	3/8	10	M 20 X 1.5	57.5	29.6	24
6G - 14MDH	3/8	10	M 22 X 1.5	59.5	31.6	24
8G - 12MDH	1/2	12	M 20 X 1.5	66.5	29.0	24
8G - 16MDH	1/2	12	M 24 X 1.5	69.0	31.5	27
10G - 20MDH	5/8	16	M 30 X 2.0	73.5	36.0	32
12G - 20MDH	3/4	20	M 30 X 2.0	84.9	33.9	32
12G - 25MDH	3/4	20	M 36 X 2.0	92.0	41.0	41
16G - 25MDH	1	25	M 36 X 2.0	97.2	40.4	41
16G - 30MDH	1	25	M 42 X 2.0	99.2	42.4	46
20G - 38MDH	1.1/4	32	M 52 X 2.0	108.1	49.1	55

## Prilagodljiv priključek za votli vijak z metričnim navojem

## DBJ

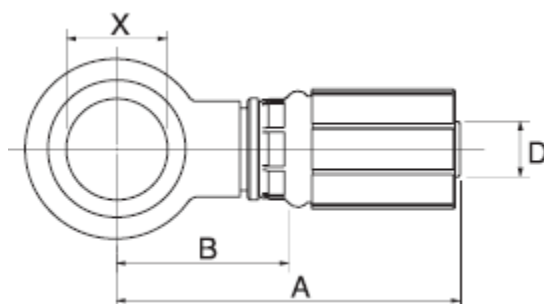
Za cevi:

M5K

M3K

M4K

CM2T



Oznaka	Za notranji premer cevi		X - votli vijak	Dimenzije		
	["]	[mm]		A[mm]	B[mm]	X
4G - 10DBJ	1/4	6	M 10	52.3	26.3	10.1
4G - 12DBJ	1/4	6	M 12	54.3	28.3	12.1
4G - 14DBJ	1/4	6	M 14	56.3	30.3	14.1
4G - 16DBJ	1/4	6	M 16	58.3	32.3	16.1
4G - 18DBJ	1/4	6	M 18	60.3	34.3	18.1
5G - 12DBJ	5/16	8	M 12	56.2	28.2	12.1
5G - 14DBJ	5/16	8	M 14	58.2	30.2	14.1
5G - 16DBJ	5/16	8	M 16	60.2	32.2	16.1
5G - 18DBJ	5/16	8	M 18	62.2	34.2	18.1
6G - 12DBJ	3/8	10	M 12	56.0	28.1	12.1
6G - 14DBJ	3/8	10	M 14	58.3	30.4	14.1
6G - 16DBJ	3/8	10	M 16	60.3	32.4	16.1
6G - 18DBJ	3/8	10	M 18	62.3	34.4	18.1
6G - 22DBJ	3/8	10	M 22	63.8	35.9	22.1
8G - 18DBJ	1/2	12	M 18	72.2	34.7	18.1
8G - 22DBJ	1/2	12	M 22	75.7	38.2	22.1
10G - 22DBJ	5/8	16	M 22	76.1	38.6	22.1
12G - 22DBJ	3/4	20	M 22	89.2	38.2	22.1
12G - 26DBJ	3/4	20	M 26	94.7	43.7	26.1
16G - 30DBJ	1	25	M 30	109.2	52.4	30.1

Prilagodljive priključke uporabljamo do tlaka največ 200 bar

## Ravni prirobnični priključek z O tesnilom SAE Code 61.

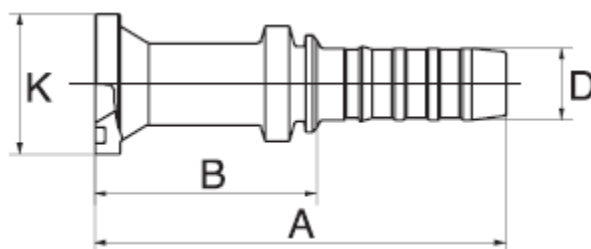
### SAE FL

Za cevi:

EFG6K

EFG5K

EFG3K



Oznaka	Za notranji premer cevi		Prirobница	Dimenzije		
	["]	[mm]		A[mm]	B[mm]	K[mm]
6GS - 8FL	3/8	10	1/2	90.0	54.2	30.2
8GS - 8FL	1/2	12	1/2	93.0	55.5	30.2
8GS - 12FL	1/2	12	3/4	98.0	60.5	38.1
10GS - 12FL	5/8	16	3/4	109.0	58.7	38.1
12GS - 8FL	3/4	20	1/2	112.0	61.0	30.2
12GS - 12FL	3/4	20	3/4	111.0	60.0	38.1
12GS - 16FL	3/4	20	1	111.0	60.0	44.5
12GS - 20FL	3/4	20	1.1/4	111.0	56.6	50.8
16GS - 16FL	1	25	1	125.0	68.6	44.5
16GS - 20FL	1	25	1.1/4	125.0	64.0	50.8
16GS - 24FL	1	25	1.1/2	125.0	64.0	60.3
20GS - 16FL	1 1/4	32	1	136.0	64.9	44.5
20GS - 20FL	1 1/4	32	1.1/4	146.0	74.9	50.8
20GS - 24FL	1 1/4	32	1.1/2	160.0	88.9	60.3

V zgornji tabeli so predstavljeni ravni priključki: Dobavimo tudi 22° in 30° priključke

## Kotni prirobnični priključek 45° z O tesnilom SAE Code 61.

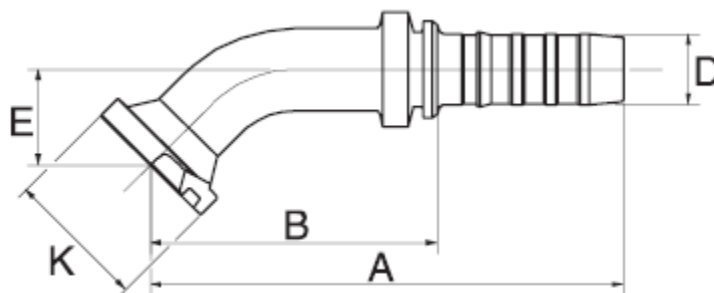
### SAE FL45

Za cevi:

EFG6K

EFG5K

EFG3K



Oznaka	Za notranji premer cevi		Prirobница	Dimenzije			
	[""]	[mm]		A[mm]	B[mm]	E[mm]	K[mm]
6GS - 8FL45M	3/8	10	1/2	93.0	57.2	19.0	30.2
8GS - 8FL45M	1/2	12	1/2	94.0	56.5	19.0	30.2
8GS - 12FL45M	1/2	12	1/2	101.0	63.5	26.0	38.1
10GS - 12FL45M	5/8	16	3/4	127.0	76.7	26.0	38.1
12GS - 12FL45M	3/4	20	3/4	124.0	73.0	26.0	38.1
12GS - 16FL45S	3/4	20	1	126.0	75.0	28.0	44.5
16GS - 16FL45M	1	25	1	147.0	90.6	32.0	44.5
16GS - 20FL45M	1	25	1.1/4	158.0	100.8	38.0	50.8
20GS - 16FL45M	1.1/4	32	1	163.0	91.9	32.0	44.5
20GS - 20FL45S	1.1/4	32	1.1/4	170.0	98.9	32.0	50.8
20GS - 24FL45S	1.1/4	32	1.1/2	176.0	104.9	38.0	60.3

V zgornji tabeli so predstavljeni 45° priključki: Dobavimo tudi 60° in 67° priključke

S - kratek odklon

M - srednji odklon

## Kotni prirobnični priključek 90° z O tesnilom SAE Code 61.

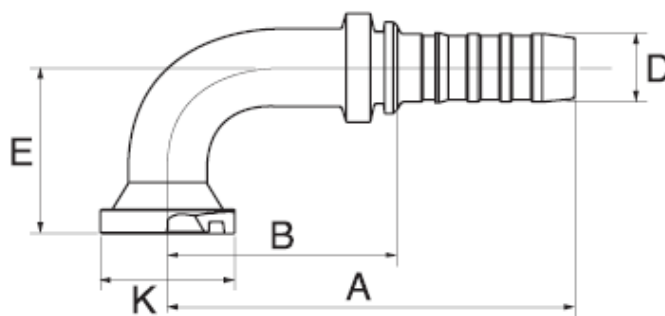
### SAE FL90

Za cevi:

EFG6K

EFG5K

EFG3K



Oznaka	Za notranji premer cevi		Prirobnica	Dimenzije			
	["]	[mm]		A[mm]	B[mm]	E[mm]	K[mm]
12GS - 16FL90S	3/4	20	1	128.0	77.0	61.0	44.5
16GS - 16FL90S	1	25	1	135.0	78.6	61.0	44.5
16GS - 20FL90S	1	25	1.1/4	134.0	76.8	68.0	50.8
16GS - 24FL90S	1	25	1.1/2	134.0	77.2	81.0	60.3
20GS - 20FL90S	1.1/4	32	1.1/4	165.0	93.9	68.0	50.8
20GS - 24FL90S	1.1/4	32	1.1/2	166.0	94.9	81.0	60.3

V zgornji tabeli so predstavljeni priključki z nizkim odklonom 'E' – Dobavimo tudi srednji in daljši odklon

M - srednji odklon

L- dolgi odklon

Ravni prirobnični priključek za višje tlake z O tesnilom SAE Code 62.

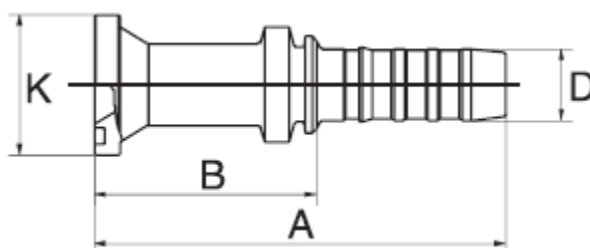
## SAE FLH

Za cevi:

EFG6K

EFG5K

EFG3K



Oznaka	 Za notranji premer cevi		 Prirobница	 Dimenzije		
	["]	[mm]		["]	A[mm]	B[mm]
8GS - 8FLH	1/2	12	1/2	93.0	55.5	31.8
8GS - 12FLH	1/2	12	3/4	93.0	55.5	41.3
10GS - 8FLH	5/8	16	1/2	109.0	58.7	31.8
10GS - 12FLH	5/8	16	3/4	109.0	58.7	41.3
12GS - 12FLH	3/4	20	3/4	114.0	63.0	41.3
12GS - 16FLH	3/4	20	1	114.0	63.0	47.6
16GS - 12FLH	1	25	3/4	129.0	72.6	41.3
16GS - 16FLH	1	25	1	125.0	68.6	47.6
16GS - 20FLH	1	25	1.1/4	125.0	64.0	54.0
20GS - 16FLH	1.1/4	32	1	163.0	97.9	47.6
20GS - 20FLH	1.1/4	32	1.1/4	146.0	74.9	54.0
20GS - 24FLH	1.1/4	32	1.1/2	160.0	88.9	63.5

V zgornji tabeli so predstavljeni ravni priključki: Dobavimo tudi 22° in 30° priključke

Kotni prirobnični priključek 45° za višje tlake z O tesnilom SAE Code 62.

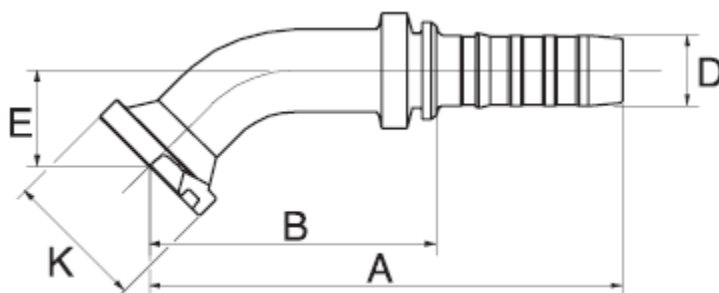
## SAE FLH45

Za cevi:

EFG6K

EFG5K

EFG3K



Oznaka	Za notranji premer cevi		Prirobница	Dimenzije			
	["]	[mm]		A[mm]	B[mm]	E[mm]	K[mm]
8GS - 8FLH45M	1/2	12	1/2	94.0	56.5	19.0	31.8
8GS - 12FLH45M	1/2	12	3/4	101.0	63.5	26.0	41.3
10GS - 8FLH45M	5/8	16	1/2	115.0	64.7	19.0	31.8
10GS - 12FLH45M	5/8	16	3/4	127.0	76.7	26.0	41.3
12GS - 12FLH45M	3/4	20	3/4	124.0	73.0	26.0	41.3
12GS - 16FLH45M	3/4	20	1	130.0	79.0	32.0	47.6
16GS - 12FLH45M	1	25	3/4	141.0	84.2	26.0	41.3
16GS - 16FLH45M	1	25	1	147.0	90.6	32.0	47.6
16GS - 20FLH45M	1	25	1.1/4	158.0	101.2	38.0	54.0
20GS - 16FLH45	1.1/4	32	1	191.1	120.0	33.7	47.6
20GS - 20FLH45M	1.1/4	32	1.1/4	176.0	104.9	38.0	54.0
20GS - 24FLH45M	1.1/4	32	1.1/2	176.0	104.9	44.0	63.5

V zgornji tabeli so predstavljeni 45° priključki: Dobavimo tudi 60° priključke

Kotni prirobnični priključek 90° za višje tlake z O tesnilom SAE Code 62.

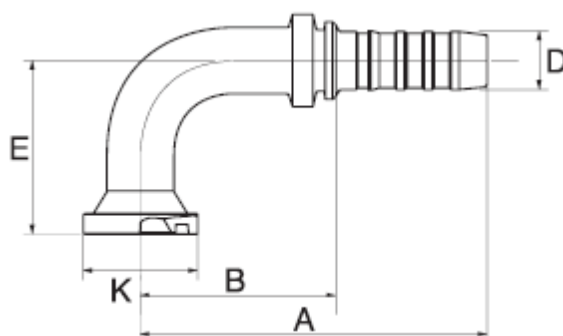
## SAE FLH90

Za cevi:

EFG6K

EFG5K

EFG3K



Oznaka	Za notranji premer cevi		Prirobница	Dimenzije			
	["]	[mm]		["]	A[mm]	B[mm]	E[mm]
8GS - 8FLH90M	1/2	12	1/2	88.0	50.5	40.0	31.8
8GS - 12FLH90M	1/2	12	3/4	88.0	50.5	58.0	41.3
10GS - 8FLH90M	5/8	16	1/2	113.0	62.7	40.0	31.8
10GS - 12FLH90M	5/8	16	3/4	110.0	59.7	58.0	41.3
12GS - 12FLH90M	3/4	20	3/4	112.0	61.0	58.0	41.3
12GS - 16FLH90M	3/4	20	1	132.0	81.0	70.0	47.6
16GS - 12FLH90M	1	25	3/4	135.0	78.6	58.0	41.3
16GS - 16FLH90M	1	25	1	135.0	78.6	70.0	47.6
20GS - 16FLH90M	1.1/4	32	1	160.0	88.9	70.0	47.6
20GS - 20FLH90M	1.1/4	32	1.1/4	165.0	93.9	90.0	54.0

V zgornji tabeli so predstavljeni priključki z srednjim odklonom 'E' – Dobavimo tudi manjši in daljši odklon

S - kratek odklon

L- dolgi odklon

Dobavimo tudi cevne sestave s spojkami:

Standard CATERPILAR – FLC

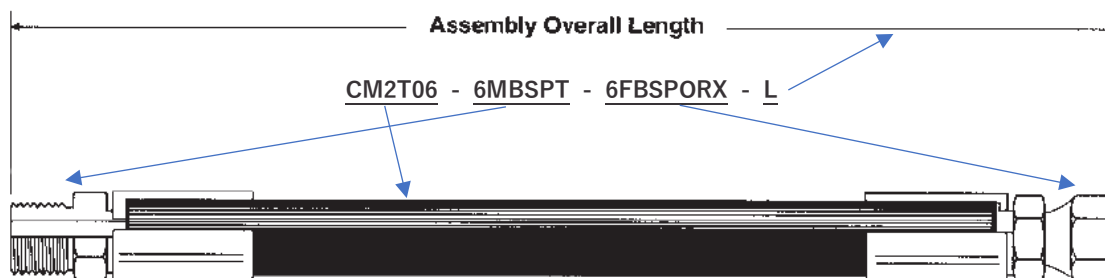
Standard KOMATSU – FLK

Popolni katalog cevi, priključkov in adapterjev najdete na spletni stani

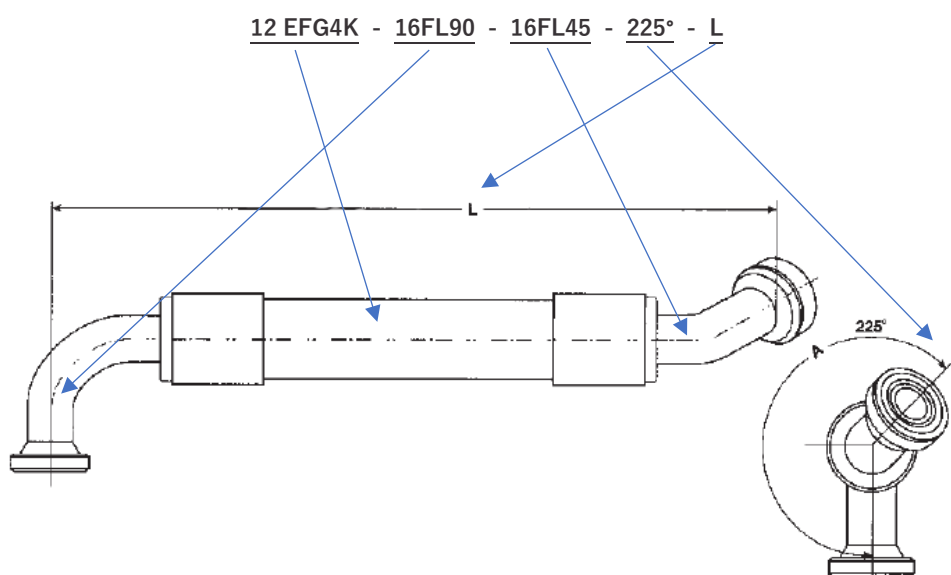
[www.gates.com](http://www.gates.com)



## Kreiranje naročniške šifre



Slika 1: Primer 1



Slika 2: Primer 2

### Primeri določanja skupne dolžine cevi za razne priključke

