



JSXH-X1 Series

BUILT FOR HIGH-PRESSURE DEMANDS

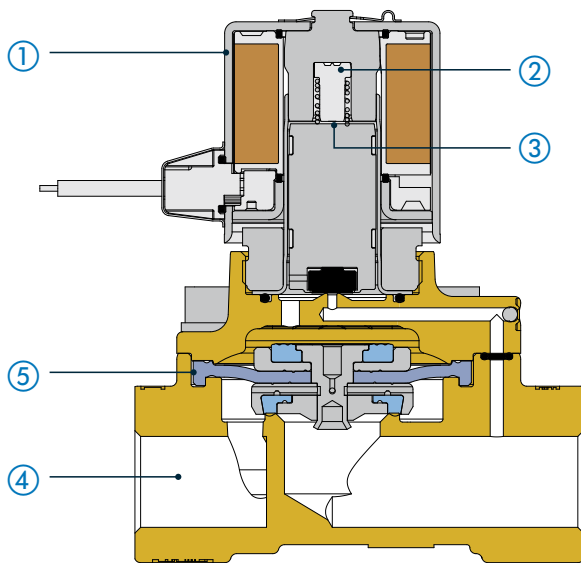
Pilot operated 2-port solenoid valve for high-pressure gas

Quick overview



Expertise
Passion
Automation

Pilot operated 2-port solenoid valve for high- pressure gas



MAIN FEATURES

Can be used at a supply and differential pressures up to 4 MPa

Control the ON/OFF supply of high-pressure gas in a wide range of applications.

① **Stainless steel coil cover**
Environmental resistance.

IP67 enclosure (IP65 for the DIN terminal)

② **Stopper construction**
Minimised wear and longer service life.

BENEFITS

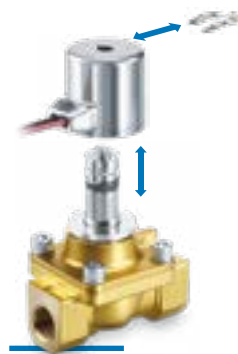
- **Guarantee flow even at high pressures** – Can be used with a differential pressure of up to 4 MPa
- **Withstand your most adverse environmental conditions** – Stainless steel coil cover and IP67 enclosure
- **Cover a wide range of applications** – Suitable for use with air, nitrogen, argon or oxygen
- **Save energy** – Power consumption of only 6 watts.

③ **Low particle generation**

④ **High flow rate and low pressure drop** thanks to optimised flow path

The coil is connected to the body with a clip

Easy coil replacement.



⑤ **Oil-free diaphragm construction**
Eliminates the risk of fluid contamination.

Seal material:

- Main valve: PUR
- Pilot valve: HNBR.

SELECTED PART NUMBERS

Part numbers	Port size	Thread type	Orifice diameter [mm]	Max. Operating pressure differential [MPa]	Min. Operating pressure differential [MPa]	Voltage type
JSXH21D-CH03F-5□-X1	3/8	G	16	4	0.15	24 VDC
JSXH21D-CH04F-5□-X1	1/2					

□: Electrical entry: WN: M12 Connector; DS: DIN terminal.

APPLICATIONS

This product is suitable for high pressure applications such as:

- Blow moulding
- Laser processing machines
- Nitrogen filling unit
- Nitrogen generator.

RELATED PRODUCTS



High-precision digital pressure switch
 ⊕ ISE7□/ISE7□G/ISE79S Series



5.0 MPa pilot operated 3-port solenoid valve
 ⊕ VCH410 Series



High-pressure electro-pneumatic regulator
 ⊕ ITVX Series



5.0 MPa check valve
 ⊕ VCHC40 Series



Expertise
Passion
Automation

SMC Corporation

1-5-5, Kyobashi,
Chuo-ku, Tokyo
104-0031, Japan
Telephone: 03-6628-3000
<https://www.smcworld.com>

Austria	+43 (0)2262622800	www.smc.at	office.at@smc.com
Belgium	+32 (0)33551464	www.smc.be	info@smc.be
Bulgaria	+359 (0)2807670	www.smc.bg	sales.bg@smc.com
Croatia	+385 (0)13707288	www.smc.hr	sales.hr@smc.com
Czech Republic	+420 541424611	www.smc.cz	office.at@smc.com
Denmark	+45 70252900	www.smc.dk.com	smc.dk@smc.com
Estonia	+372 651 0370	www.smc.ee	info.ee@smc.com
Finland	+358 207513513	www.smc.fi	smc.fi@smc.com
France	+33 (0)164761000	www.smc-france.fr	smc.fi@smc.com
Germany	+49 (0)61034020	www.smc.de	info.de@smc.com
Greece	+30 210 2717265	www.smc.hellas.gr	sales@smchellas.gr
Hungary	+36 23513000	www.smc.hu	office.hu@smc.com
Ireland	+353 (0)14039000	www.smcautomation.ie	technical.ie@smc.com
Italy	+39 03990691	www.smcitalia.it	mailbox.it@smc.com
Latvia	+371 67817700	www.smc.lv	info.lv@smc.com

Lithuania	+370 5 2308118	www.smc.lt	info.lt@smc.com
Netherlands	+31 (0)205318888	www.smc.nl	info@smc.nl
Norway	+47 67129020	www.smc-norge.no	post.no@smc.com
Poland	+48 222119600	www.smc.pl	technical.ie@smc.com
Portugal	+351 214724500	www.smc.eu	apoiocliente.pt@smc.com
Romania	+40 213205111	www.smcromania.ro	office.ro@smc.com
Russia	+7 (812)3036600	www.smc.eu	sales@smcru.com
Slovakia	+421 (0)413213212	www.smc.sk	sales.sk@smc.com
Slovenia	+386 (0)73885412	www.smc.si	office.si@smc.com
Spain	+34 945184100	www.smc.eu	post.es@smc.com
Sweden	+46 (0)86031240	www.smc.nu	order.se@smc.com
Switzerland	+41 (0)523963131	www.smc.ch	helpcenter.ch@smc.com
Turkey	+90 212 489 0 440	www.smc-turkey.com.tr	satis.tr@smc.com
UK	+44 (0)845 121 5122	www.smc.uk	sales.gb@smc.com

South Africa	+27 10 900 1233	www.smcza.co.za	Sales.za@smc.com
---------------------	-----------------	--	--

www.smc.eu

Release DS
FLYER-JSXH-X1-A-UK

Specifications are subject to change without prior notice and any obligation on the part of the manufacturer